

# GEM STONE

## SCULPTURED PROFILES



12x24 - Chamois Rock-Stone with Gem Stone - Chamois



# GEM STONE

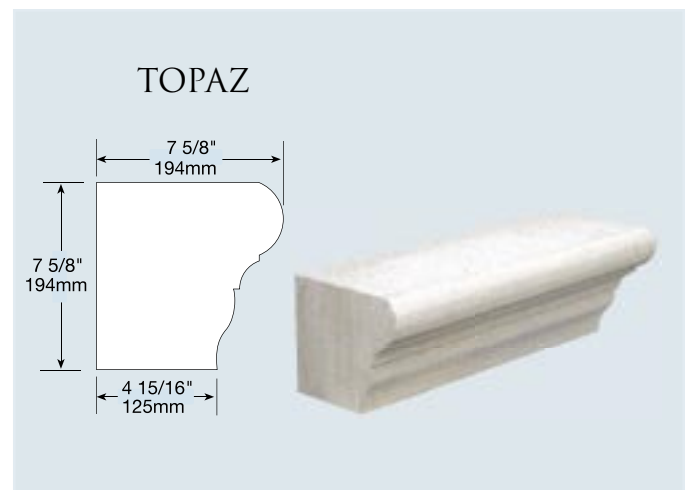
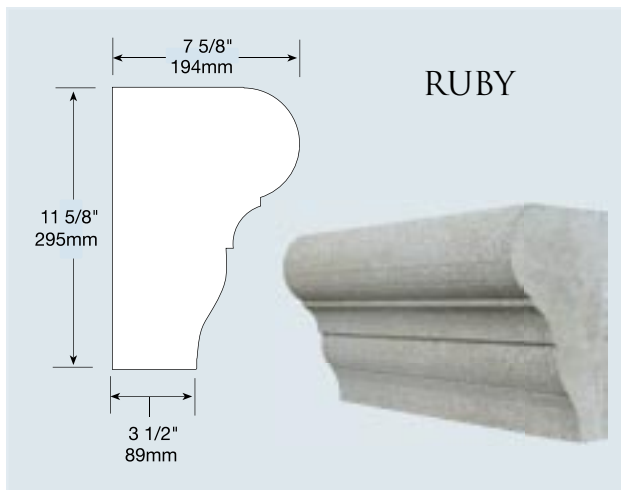
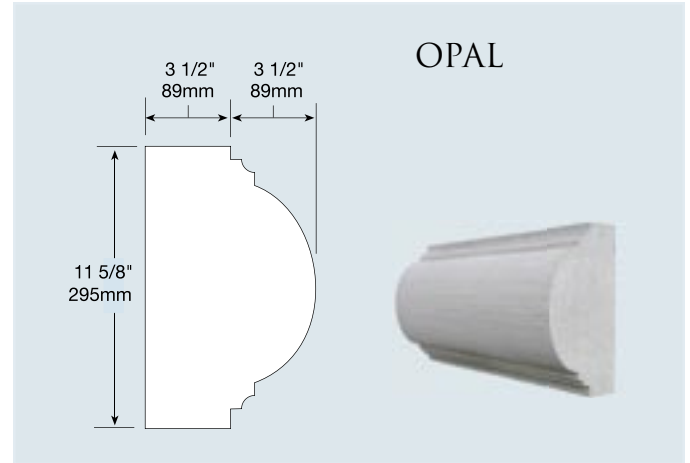
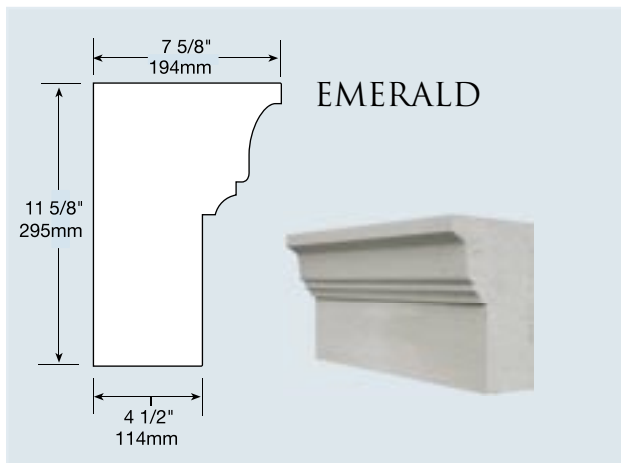
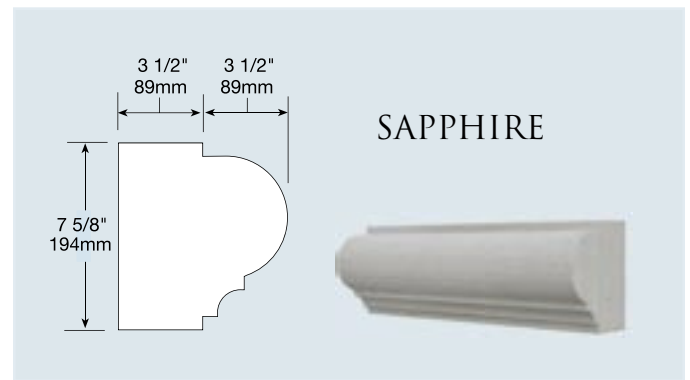
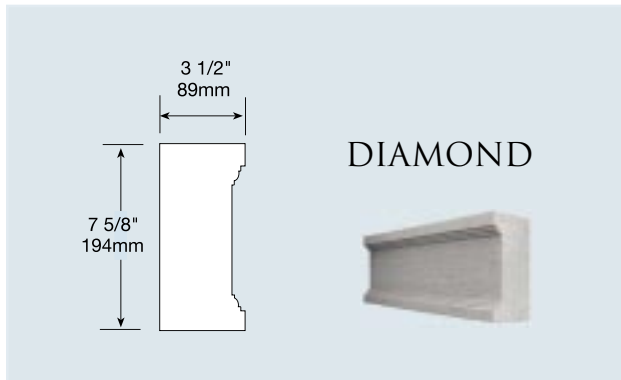


## STANDARD PROFILES

The following collection of profiles are commonly produced profiles available in 24" lengths. Custom orders require a CAD drawing or template of the desired shape, and return corners are available as well as mitred corners to complete the desired appearance.

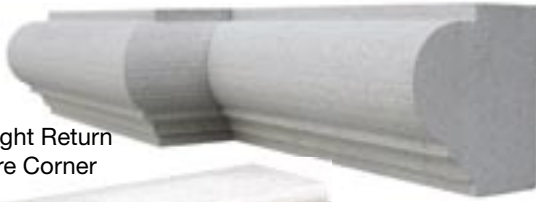
### CUSTOM PROFILES

Shapes and profiles can be constructed in virtually any configuration, provided that the shape does not have an undercut.





Sapphire Left Return



Sapphire Right Return with a Mitre Corner



Topaz Left Return

### CORNER APPLICATIONS

Gem-Stone is available with same shape end profiles and return corner profiles to harmonize and compliment the design. Please contact the office for details, options, and pricing.

### COLOUR

Gem-Stone blanks are stock in Pearl White and Chamois. Custom colours are available, certain conditions apply.

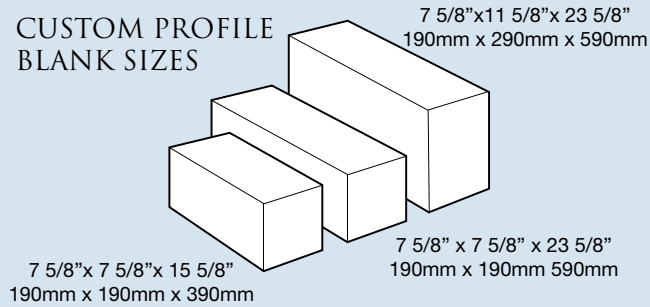


Pearl White · Tapestry

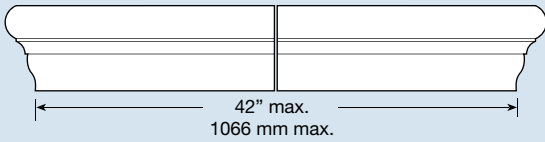


Chamois · Tapestry

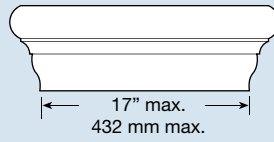
### CUSTOM PROFILE BLANK SIZES



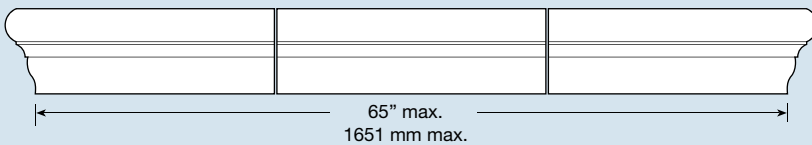
## SAMPLE 824 TOPAZ SILL SIZING



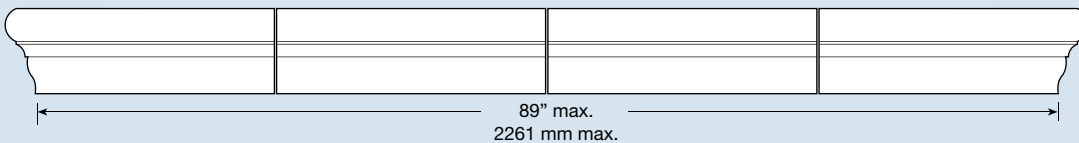
16" to 42" wide (one left, one right 21" return length)



A single piece double return maximum 17 inches



43" to 64" wide (one 23 5/8" length, one left, one right return length)



65" to 89" wide (two 23 5/8" length, one left, one right return length)

